

[N]

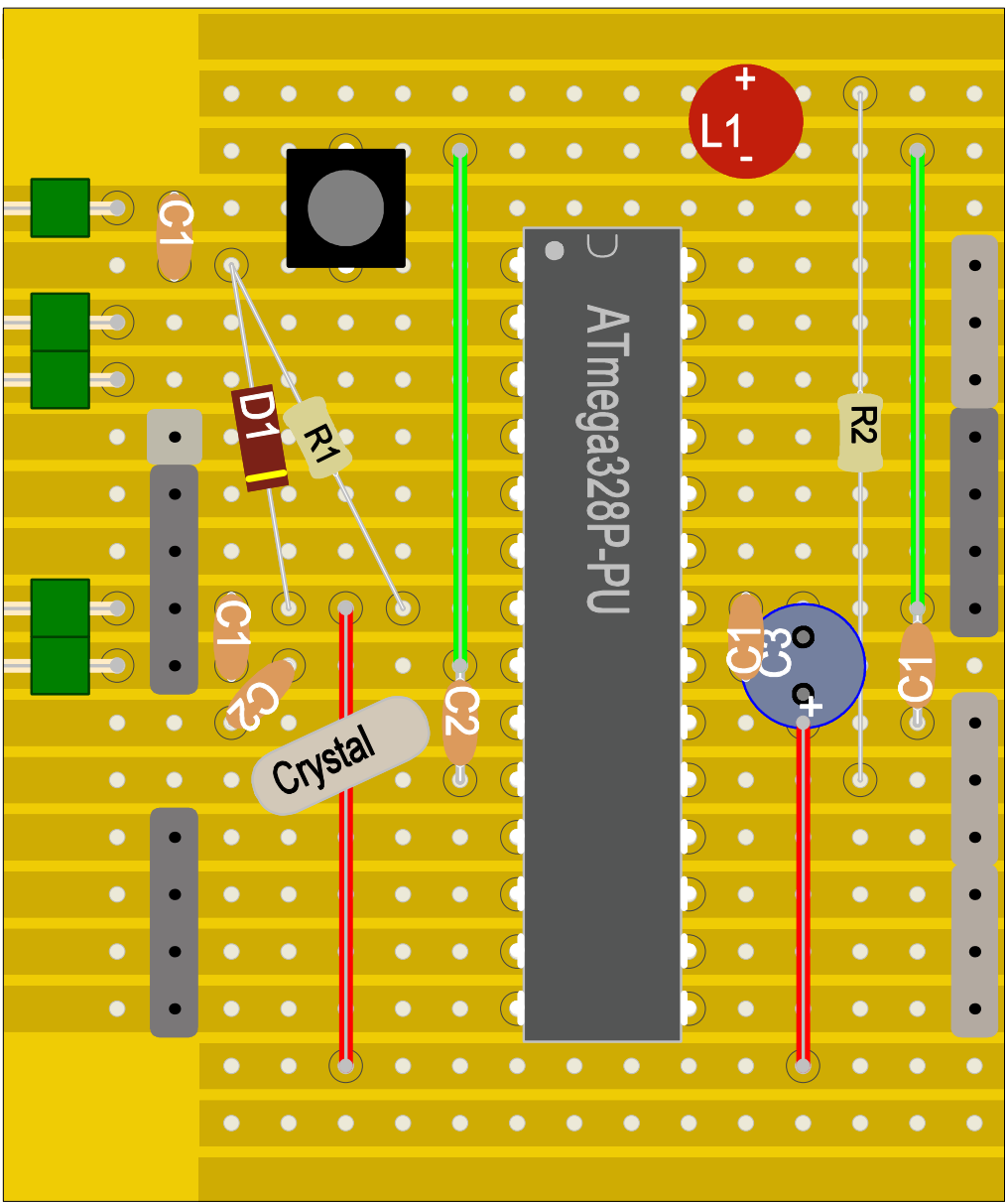
0

10

0

10

20



[N]

0

10

20

10

0

